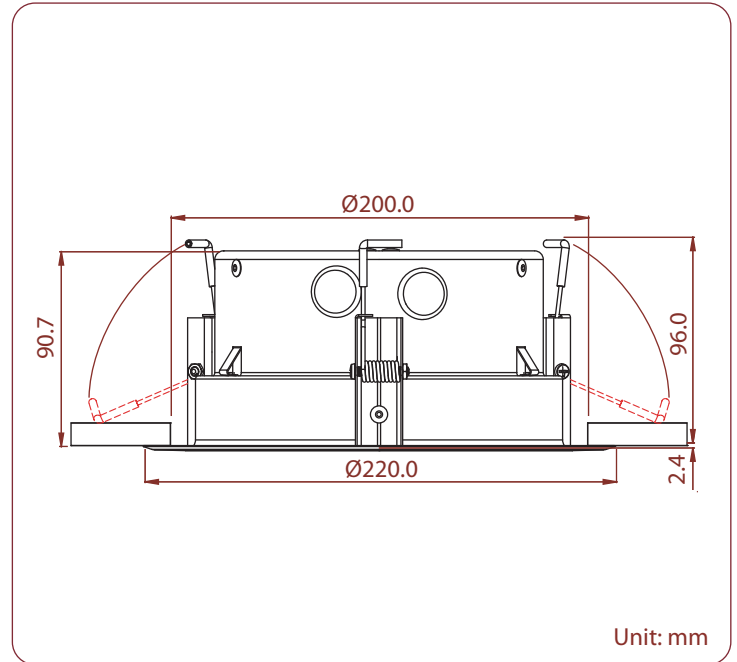
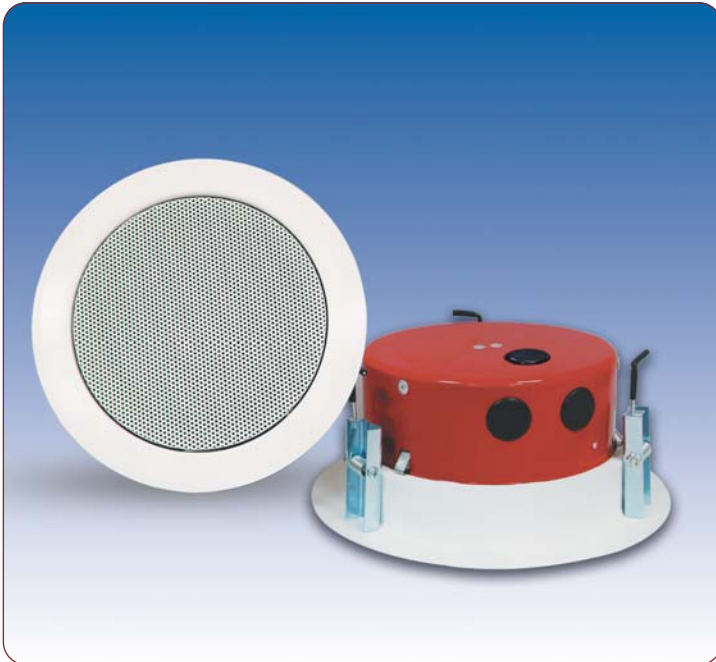




# CLM-6061VAF Metal Ceiling Loudspeaker

**EN 54-24**



- 100 Hours Life Tested
- CE Certified (EMC & LVD)
- IP Rated
- Rustproof
- UL94V0
- BS 5839 Part 8 & EN 60849
- EASE Data
- RoHS Compliance
- UV Stable
- Withstanding/Insulation Tested

- EN 54-24 certified. Certification No. 1438-CPD-XXXX
- Compliant with British Standard BS 5839 part 8 and EN 60849
- Two cable entries to enable loop in loop out installation
- Mild steel construction capable of withstanding temperature of 650°C
- Ceramic termination blocks and fire resistant internal cabling
- 150°C thermal isolating fuse
- Super low profile grille and fire dome design. Ideal for shallow ceiling voids
- Easy snap-on fire dome
- Fitted with a twin cone driver unit
- A great alternative for the price conscious customer
- Finished in white (RAL 9010)



Model No.	CLM-6061VAF
Rated Power (rms)	6W
Impedance	1.67kΩ, 3.33kΩ & 6.67kΩ
Power Taps @ 100V	6W, 3W & 1.5W
Power Taps @ 70V	3W, 1.5W & 0.75W
SPL (1W / 1m)	94dB
Max. SPL (Rated W / 1m)	102dB
Frequency Range (-10dB)	130 Hz ~ 20k Hz
Dispersion 1k Hz / 4k Hz	126°/112°
Operating Temperature	-30°C ~ +60°C
Power Selection	Plug
Material	Baffle: Steel, Grille: Steel, Fire dome: Steel
Colour / Finish	White (RAL 9010)
Dimensions	220.0 (8.66) Dia. X 98.4 (3.87) Height mm. (in.)
Cutout Size	200.0 (7.87) Dia. mm. (in.)
Net Weight (ea)	1.34 kg (2.95 lb.)
Mounting	Quick spring clips and snap-on fire dome

■ **Rated Power according to IEC 60268- 5 100 hours Power Handling Capacity standard**