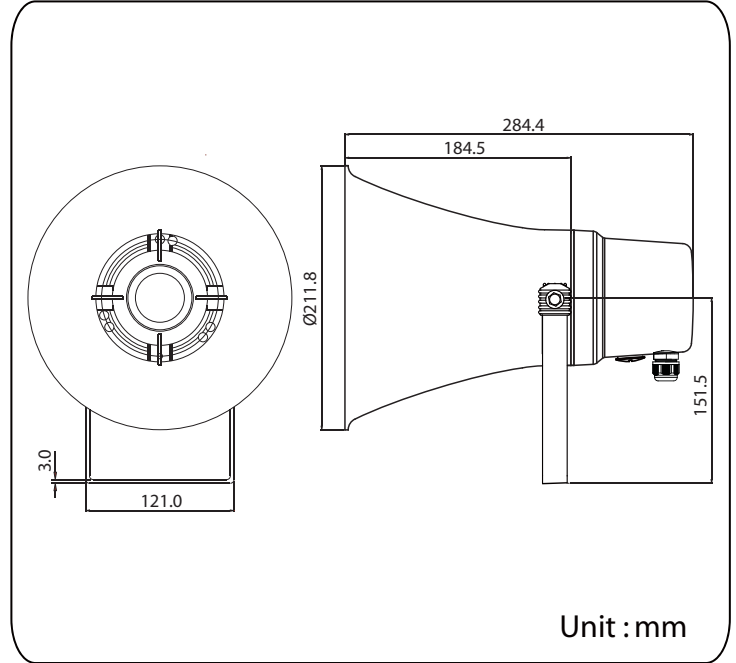




GRH-8151 GRP Horn Loudspeaker for Harsh Industrial & Marine Environments



- 100 Hours Life Tested
- CE Certified (EMC & LVD)
- IP Rated
- Rustproof
- UL94V0
- BS 5839 Part 8
- EASE Data
- RoHS Compliance
- UV Stable
- Withstanding/Insulation Tested

- Ideal for harsh industrial & marine environments
- Highly chemical resistant
- Ingress protected to IEC 529 IP 67
- Equipped with corrosion free AISI 316 stainless steel mounting bracket & exterior hardware
- With ratchet mounting bracket to remain correctly positioned
- Two cable entries to enable loop in loop out installation
- UV stable glassfiber reinforced polyester (GRP) housing
- Operating temperature up to -55°C ~ +70°C
- Highly flame retardant
- Finished in grey

Model No.	GRH-8151
Rated Power (rms)	15W
Impedance	667Ω, 1.33kΩ, 2.67kΩ & 5.33kΩ
Power Taps @ 100V	15W, 7.5W, 3.75W & 1.87W
Power Taps @ 70V	7.5W, 3.75W, 1.87W & 0.94W
SPL (1 W / 1m)	108dB
Max. SPL (Rated W / 1m)	120dB
Frequency Range (-10dB)	460 Hz ~ 9k Hz
Dispersion 1k Hz / 4k Hz	130° / 36°
Operating Temperature	-55°C ~ +70°C
Ingress Protection	IEC 529 IP 67
Power Selection	Plug
Material	Housing: Glassfiber reinforced polyester (GRP)
Colour / Finish	Grey
Dimensions	211.8 (8.33) Dia. X 284.4 (11.20) Length mm. (in.)
Net Weight (ea)	1.8 kg (3.97 lb.)
Mounting	U Type AISI 316 stainless steel bracket

■ **Rated Power according to IEC 60268- 5 100 hours Power Handling Capacity standard**