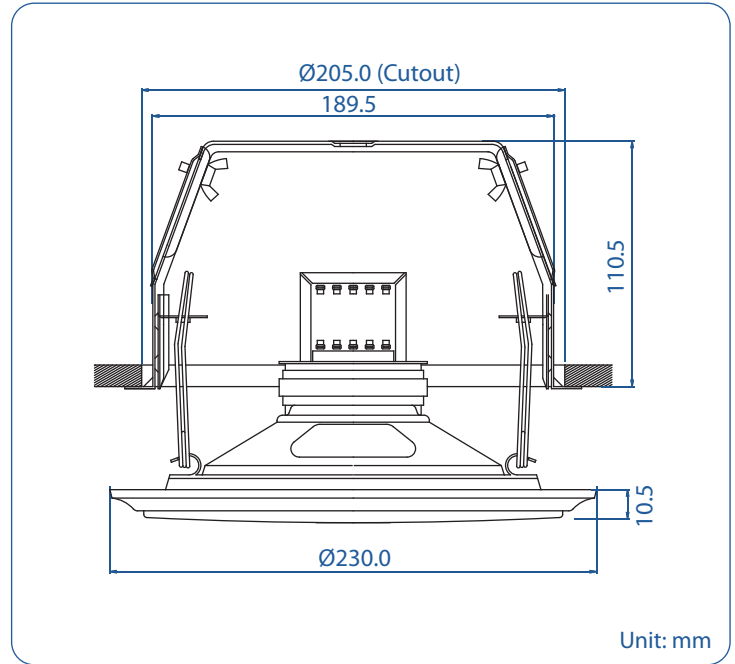




# QCM-6061

## Quick-Mount Ceiling Loudspeaker

Public Address



- 100 Hours Life Tested
- CE Certified (EMC & LVD)
- IP Rated
- Rustproof
- UL94V0
- BS 5839 Part 8
- EASE Data
- RoHS Compliance
- UV Stable
- Withstanding/Insulation Tested

- Fitted with a 6.5" twin cone driver unit
- Designed to offer wide response for music & speech
- Dished grille design for acoustic integrity
- Finished in white

Model No.	QCM-6061
Rated Power (rms)	6W
Impedance	1.67kΩ, 3.33kΩ, 6.67kΩ & 13.33kΩ
Power Taps @ 100V	6W, 3W, 1.5W & 0.75W
Power Taps @ 70V	3W, 1.5W, 0.75W & 0.375W
SPL (1W / 1m)	93dB
Max. SPL (Rated W / 1m)	100dB
Frequency Range (-10dB)	100 Hz ~ 20k Hz
Dispersion 1k Hz / 4k Hz	120° / 90°
Operating Temperature	-30°C ~ +60°C
Power Selection	Plug
Material	Baffle: Steel, Grille: Steel
Colour / Finish	White
Dimensions	230.0 (9.06) Dia. X 121.0 (4.76) Height mm. (in.)
Cutout Size	205.0 (8.07) Dia. mm. (in.)
Net Weight (ea)	1.40 kg (3.09 lb.)
Mounting	Spring loaded Quick-Mount bracket assembly

▣ **Rated Power according to IEC 60268- 5 100 hours Power Handling Capacity standard**