



PRH Series Plastic Horn Loudspeaker



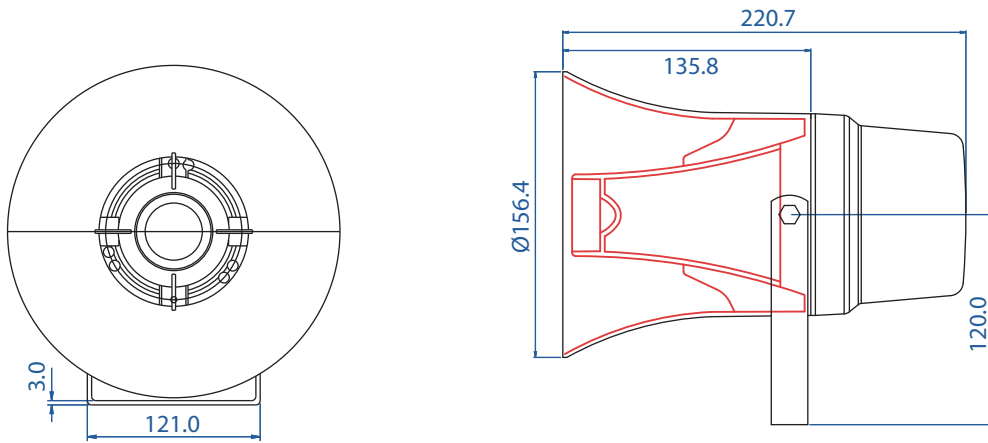
- 100 Hours Life Tested
- CE Certified (EMC & LVD)
- IP Rated
- Rustproof
- UL94V0
- BS 5839 Part 8
- EASE Data
- RoHS Compliance
- UV Stable
- Withstanding/Insulation Tested

- **Ingress protected to IEC 529 IP 66**
- **Built-in line transformer with screwdriver adjustable power selector (sealed)**
- **Stainless steel mounting bracket & exterior hardware**
- **Rotary power selector**
- **Very high efficiency**
- **High impact ABS construction**
- **Glanded cable tails**
- **Finished in grey**

Model No.	PRH-6101/8	PRH-8151/8	PRH-10301/8
Rated Power (rms)	10W	15W	30W
Impedance	1kΩ, 2kΩ, 4kΩ, 8kΩ, OFF & 8Ω	667Ω, 1.33kΩ, 2.67kΩ, 5.33kΩ, OFF & 8Ω	333Ω, 667Ω, 1.33kΩ, 2.67kΩ, OFF & 8Ω
Power Taps @ 100V	10W, 5W, 2.5W, 1.25W, OFF & 8Ω	15W, 7.5W, 3.75W, 1.87W, OFF & 8Ω	30W, 15W, 7.5W, 3.75W, OFF & 8Ω
Power Taps @ 70V	5W, 2.5W, 1.25W, 0.625W, OFF & 8Ω	7.5W, 3.75W, 1.87W, 0.94W, OFF & 8Ω	15W, 7.5W, 3.75W, 1.87W, OFF & 8Ω
SPL (1W / 1m)	106dB	108dB	110dB
Max. SPL (Rated W / 1m)	116dB	120dB	125dB
Frequency Range (-10dB)	380 Hz ~ 9k Hz	460 Hz ~ 9k Hz	400 Hz ~ 7.5k Hz
Frequency Range (-20dB)	340 Hz ~ 11k Hz	300 Hz ~ 11k Hz	270 Hz ~ 12k Hz
Dispersion 1k Hz / 4k Hz	210° / 45°	120° / 30°	110° / 30°
Operating Temperature	-30°C ~ +60°C		
Ingress Protection	IEC 529 IP 66		
Power Selection	Selecting switch		
Material	Housing: High impact ABS		
Colour / Finish	Grey		
Dimensions	156.4 (6.15) Dia. X 220.7 (8.67) Length mm. (in.)	211.8 (8.33) Dia. X 269.4 (10.60) Length mm. (in.)	232.7 (9.16) Dia. X 309.6 (12.19) Length mm. (in.)
Net Weight (ea)	1.54 kg (3.40 lb.)	1.74 kg (3.84 lb.)	2.11 kg (4.65 lb.)
Mounting	U Type stainless steel bracket		

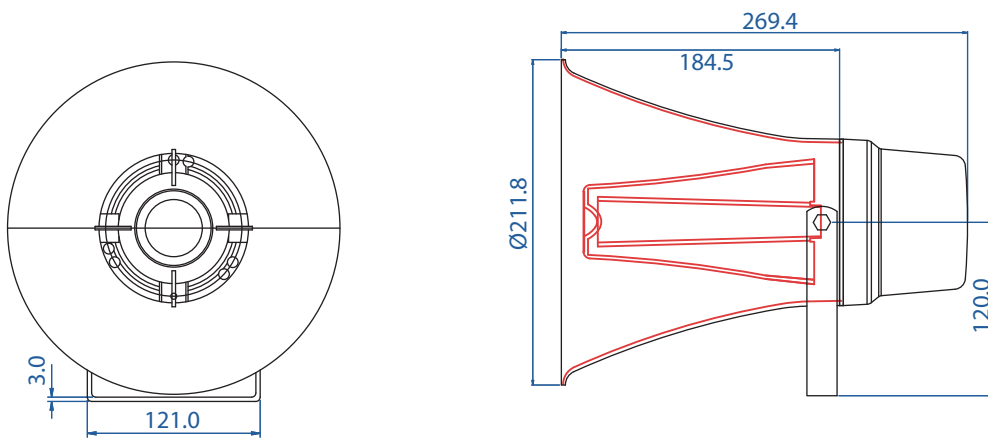
Rated Power according to IEC 60268- 5 100 hours Power Handling Capacity standard

PRH-6101/8



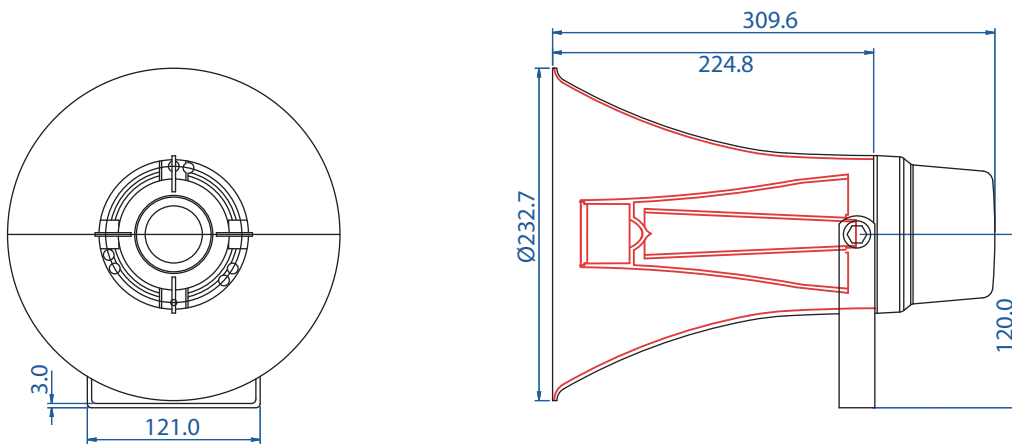
Unit: mm

PRH-8151/8



Unit: mm

PRH-10301/8



Unit: mm