



# PRH-VA Series Plastic Horn Loudspeaker

**【Voice Alarm】**

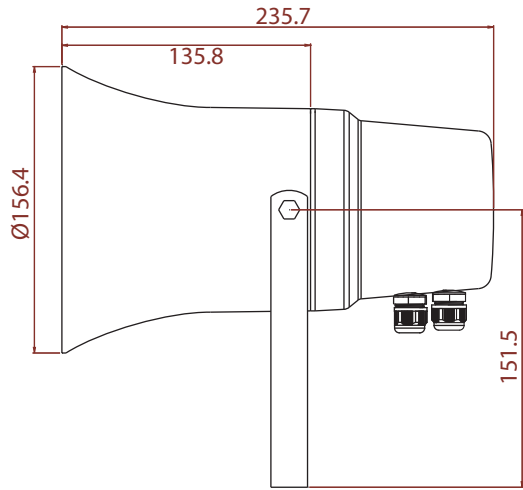
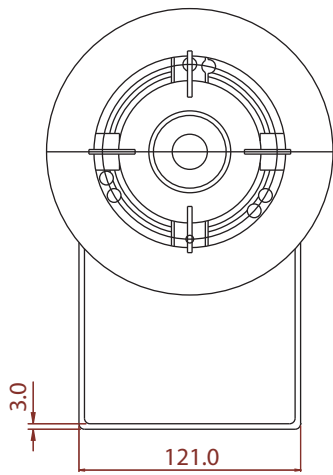


- CE Certified (EMC & LVD)
- IP Rated
- Rustproof
- UL94V0
- Withstanding/Insulation Tested
- BS 5839 Part 8 & EN 60849
- EASE Data
- RoHS Compliance
- UV Stable

- Compliant to British Standard BS 5839 part 8 and EN 60849
- Ingress protected to IEC 529 IP 66
- Two cable entries to enable loop in loop out installation
- Stainless steel mounting bracket & exterior hardware
- High impact ABS construction
- Very high efficiency
- Finished in grey

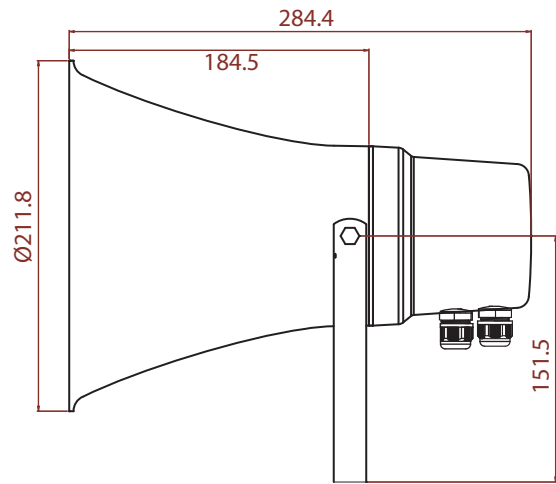
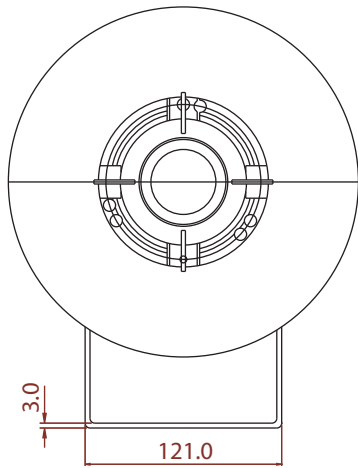
Model No.	PRH-6101/8VA	PRH-8151/8VA	PRH-10301/8VA
Rated Power (rms)	10W	15W	30W
Impedance	1kΩ, 2kΩ, 4kΩ & 8kΩ	667Ω, 1.33kΩ, 2.67kΩ & 5.33kΩ	333Ω, 667Ω, 1.33kΩ & 2.67kΩ
Power Taps @ 100V	10W, 5W, 2.5W & 1.25W	15W, 7.5W, 3.75W & 1.87W	30W, 15W, 7.5W & 3.75W
Power Taps @ 70V	5W, 2.5W, 1.25W & 0.625W	7.5W, 3.75W, 1.87W & 0.94W	15W, 7.5W, 3.75W & 1.87W
SPL (1W / 1m)	106dB	108dB	110 dB
Max. SPL (Rated W / 1m)	116dB	120dB	125 dB
Frequency Range (-10dB)	380 Hz ~ 9k Hz	460 Hz ~ 9k Hz	400 Hz ~ 7.5k Hz
Frequency Range (-20dB)	340 Hz ~ 11k Hz	300 Hz ~ 11k Hz	270 Hz ~ 12k Hz
Dispersion 1k Hz / 4k Hz	210° / 45°	120° / 30°	110° / 30°
Operating Temperature	-30°C ~ +70°C		
Ingress Protection	IEC 529 IP 66		
Power Selection	Plug		
Material	Housing: UL94V0 high impact ABS		
Colour / Finish	Grey		
Dimensions	156.4(6.15) Dia. X 235.7 (9.3) Length mm. (in.)	211.8 (8.33) Dia. X 284.4 (11.20) Length mm. (in.)	232.7(9.16) Dia. X 324.6 (12.8) Length mm. (in.)
Net Weight (ea)	1.54 kg (3.4 lb.)	1.75 kg (3.85 lb.)	2.11 kg (4.65 lb.)
Mounting	U Type stainless steel bracket		

### PRH-6101/8VA



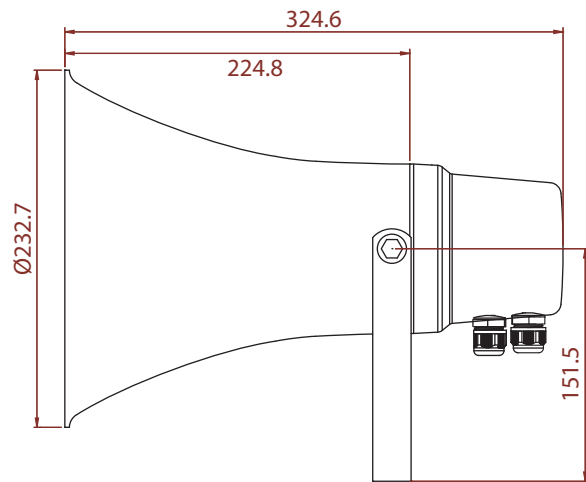
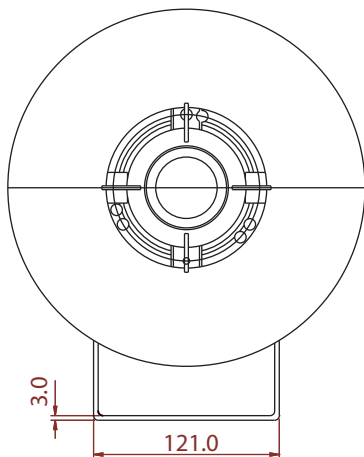
Unit: mm

### PRH-8151/8VA



Unit: mm

### PRH-10301/8VA



Unit: mm