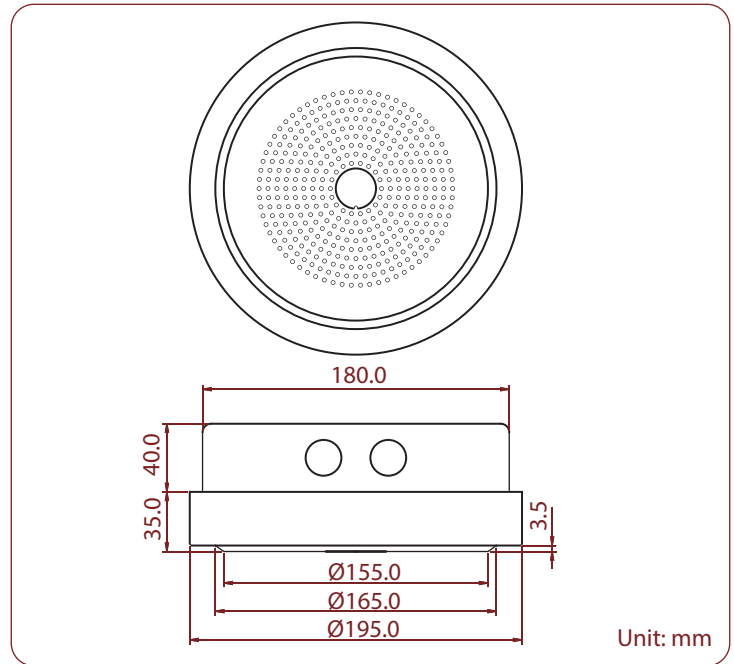




SCS-5061VA Surface-Mount Ceiling Loudspeaker



Unit: mm

- 100 Hours Life Tested
- CE Certified (EMC & LVD)
- IP Rated
- Rustproof
- UL94V0
- BS 5839 Part 8 & EN 60849
- EASE Data
- RoHS Compliance
- UV Stable
- Withstanding/Insulation Tested

Multi purpose surface-mount ceiling loudspeaker, designed to be vandal-proof as well as compliant with voice alarm standards world-wide. Ideal for environments such as schools, public buildings, car parks, offices etc

- **Compliant with British Standard BS 5839 part 8 and EN 60849**
- **Two cable entries to enable loop in loop out installation**
- Twin ceramic termination blocks and fire resistant internal cabling
- 150°C thermal circuit isolating fuse
- Safety cord from the backbox for easy installation
- Finished in white

Model No.	SCS-5061VA
Rated Power (rms)	6W
Impedance	1.67kΩ, 3.33kΩ, 6.67kΩ & 13.33kΩ
Power Taps @ 100V	6W, 3W, 1.5W & 0.75W
Power Taps @ 70V	3W, 1.5W, 0.75W & 0.375W
SPL (1W / 1m)	92dB
Max. SPL (Rated W / 1m)	99dB
Frequency Range (-10dB)	100 Hz ~ 20k Hz
Dispersion 1k Hz / 4k Hz	180° / 115°
Operating Temperature	-35°C ~ +70°C
Power Selection	Plug
Material	Housing: Steel
Colour / Finish	White
Dimensions	195.0 (7.68) Dia. X 75.0 (2.95) Height mm. (in.)
Net Weight (ea)	1.90 kg (4.18 lb.)
Mounting	Screw